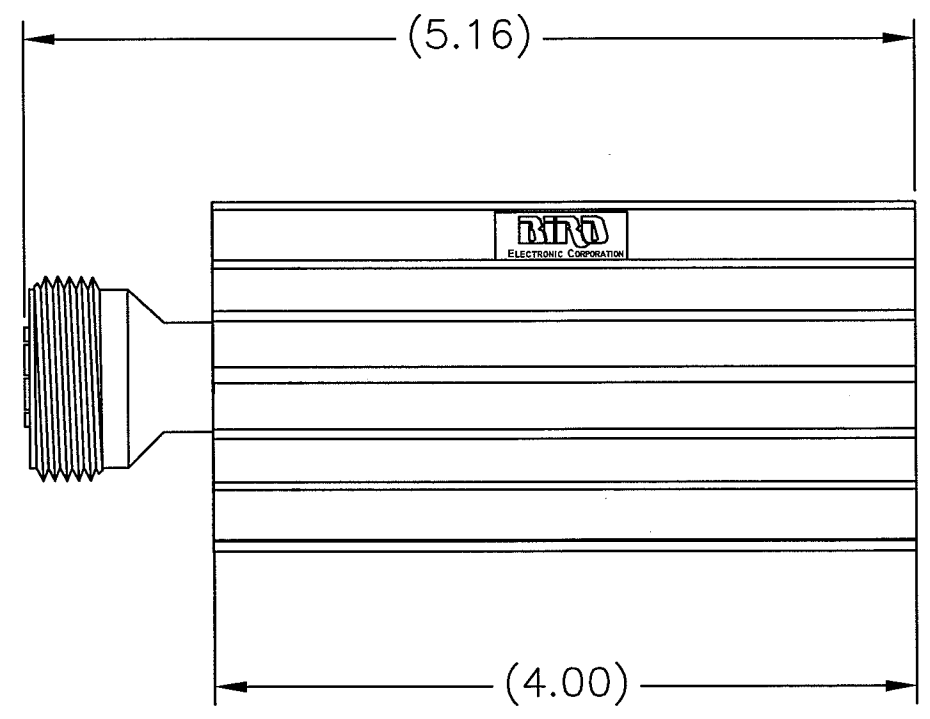
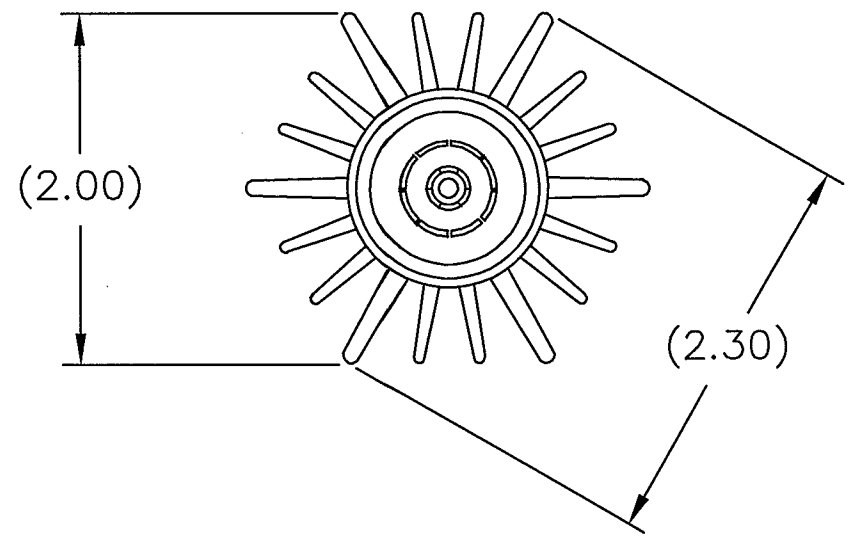


REV A
SHEET 1
DWG NO. 25-T-FE

SPECIFICATIONS:
 25 WATT COAXIAL TERMINATION
 POWER RATING: 25 WATTS MAXIMUM @ 40°C.
 30 WATTS MAXIMUM @ 25°C.
 CONNECTOR: IEC 7/16 FEMALE
 FREQUENCY RANGE & VSWR: DC TO 1GHz AT 1.10:1 MAX.
 1GHz TO 4GHz AT 1.25:1 MAX.
 IMPEDANCE: 50 OHMS, NOMINAL
 AMBIENT TEMPERATURE RANGE: -40°C TO +40°C
 OPERATING POSITION: ANY
 COOLANT: DRY (CONVECTION COOLED)
 FINISH: BLACK ANODIZED COOLING FINN, SILVER OR TRI-ALLOY PLATED CONNECTORS
 NOMINAL SIZE: 5.16"L X 2.3" DIA.
 WEIGHT: APPROX. 7 OZ.

REVISIONS				
ZONE	REV	DESCRIPTION	DATE	APPROVED
	A	CONVERT TO BEC FORMAT	DMR 5-14-03	<i>MRJ</i>



UNLESS OTHERWISE SPECIFIED DIMENSIONS ARE IN INCHES TOLERANCES ARE:	MILLIMETERS .X= ±.4 .XX= ±.12
FRACTIONS ± 1/64	DECIMALS .XX= ±.010 .XXX= ±.005
ANGLES ± 30°	
DO NOT SCALE DRAWING	
MATERIAL	
FINISH	

APPROVALS		DATE	TITLE
DRAWN	D.M.RINK	5-14-03	TERMINATION, CONVECTION COOLED IEC 7/16 FEMALE, 25W
CHECKED			
APPROVED	<i>MRJ</i>	6-15-03	
	AUTOCAD		



SIZE	FSCM NO.	DWG. NO.	REV
B	70998	25-T-FE	A
SCALE	COMM CODE	SHEET	
1:1	LD1	1 OF 1	